



+1-703-256-8900 or 800-628-0885  
 info@NavtechGPS.com  
 www.NavtechGPS.com

## 2G15X-XX-X ANTENNA FAMILY

### Compact GPS L1 Antenna

The 2G15X-XX-X product family uses the Global Positioning System (GPS) signal reception in the L1 frequency band. This antenna is housed in a small, round enclosure, allowing easy integration onto new and existing platforms. The rugged enclosure can withstand harsh environmental conditions seen in military, aerospace and other applications.

Antcom is able to customize this product family to meet your specific requirements. Please contact us for more information about customization options.



#### BENEFITS

- Rugged GPS L1 antenna
- Compact enclosure for applications with size weight requirements
- Many standard options available, and customizable if required

#### FEATURES

- GPS L1 with M-Code support
- Passive or active (amplified) configurations available
- Active configurations offer 2-stage integrated bandpass filtering with diode limiters
- Connector options available
- Paint color options available

#### OPTIONS

##### COLOR

- Gloss White
- Lusterless Gray
- Camo Green
- Lusterless Black
- Desert Tan

##### CONNECTOR

- S: SMA
- M: MCX; MM: MMCX
- N: N; NB:N-Bulkhead
- T, TNC: TB; TNC-Bulkhead

##### LNA GAIN

- With 33 dB LNA
- Without LNA



Contact NavtechGPS for product details. [www.NavtechGPS.com](http://www.NavtechGPS.com)  
 +1-703-256-8900 • 800-628-0885 • [info@navtechgps.com](mailto:info@navtechgps.com)

**ELECTRICAL**

<b>Frequency Range:</b>	
L1 GPS	1575.42 ± 12 MHz
VSWR	<2.0:1
Impedance	50 ohms
Polarization	RHCP

**MECHANICAL & ENVIRONMENTAL**

Designed to:

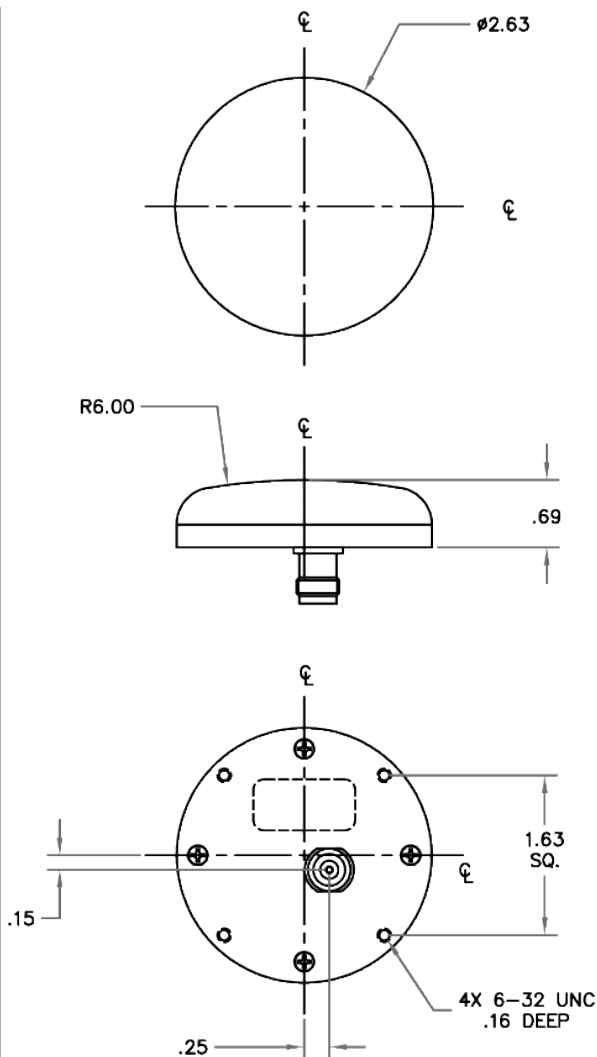
<b>Weight</b>	3.55 oz
<b>Temperature</b>	-55°C TO +85°C
<b>Altitude</b>	70,000 ft
<b>Vibration</b>	> 30 Grms

**TYPICAL LNA PERFORMANCE**

<b>LNA Gain</b>	See Options Table
<b>LNA Noise Figure</b>	3.5 dB
<b>LNA P1dB Out</b>	+13 dBm
<b>LNA DC Power</b>	(3.8 - 15) V <35 mA

**LIMITING & FILTERING**

<b>Power Handling</b>	1 Watt CW
-----------------------	-----------



**PART NUMBER DECODER**

2G15X-XX-X

- LNA Gain**
  - A = With 33 dB
  - P = Without Passive
- Color (PER AMS-STD-595)**
  - 1 = Gloss White #17925
  - 2 = Lusterless Gray #36320
  - 3 = Camo Green #34094
  - 4 = Lusterless Black #37038
  - 5 = Desert Tan #33446
- Connector**
  - S = SMA
  - M = MCX; MM: MMCX
  - N = N: NB: N-Bulkhead
  - T = TNC; TB: TNC-Bulkhead



Contact NavtechGPS for product details. [www.NavtechGPS.com](http://www.NavtechGPS.com)  
 +1-703-256-8900 • 800-628-0885 • [info@navtechgps.com](mailto:info@navtechgps.com)

