



## 3G1215X-XX-X ANTENNA FAMILY

### GPS L1/L2 FRPA

The 3G1215X-XX-X antenna product family provides Global Positioning System (GPS) signal reception in the L1 and L2 frequency bands. The Fixed Reception Pattern Antenna (FRPA) mounting footprint allows for easy integration onto new and existing platforms. Rugged enclosures enable these antennas to withstand harsh environmental conditions seen in military, aerospace, and other applications.

Antcom can customize this product family to meet your specific requirements. Please contact us for more information about customization options.

#### BENEFITS

- Rugged GPS L1/L2 antenna for assured position, navigation, and timing (PNT)
- Standard FRPA mounting footprint allows easy platform integration
- Various standard options available and customizable options are available for order

#### FEATURES

- GPS L1/L2 with M-Code support
- FRPA footprint with thru-hole mount or bottom-mount
- Passive or active (amplified) configurations available
- Active configurations offer 2-stage integrated bandpass filtering with diode limiters
- Connector options available
- Paint color options available



#### OPTIONS

COLOR	<ul style="list-style-type: none"><li>• Gloss White</li><li>• Lusterless Gray</li><li>• Camo Green</li><li>• Lusterless Black</li><li>• Desert Tan</li></ul>
CONNECTOR	<ul style="list-style-type: none"><li>• SMA</li><li>• TNC</li><li>• Bulkhead TNC</li><li>• Bulkhead N</li></ul>
LNA GAIN	<ul style="list-style-type: none"><li>• With 33 dB LNA</li><li>• With 40 dB LNA</li><li>• Without LNA</li></ul>

**ELECTRICAL**

<b>Frequency Range:</b>	
<b>L1 GPS</b>	1575.42 ± 12 MHz
<b>L2 GPS</b>	1227.60 ± 12 MHz
<b>VSWR</b>	<2.0:1
<b>Impedance</b>	50 ohms
<b>Polarization</b>	RCHP

**MECHANICAL & ENVIRONMENTAL**

Designed to:

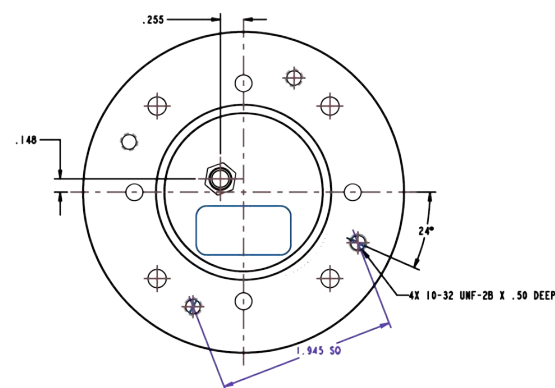
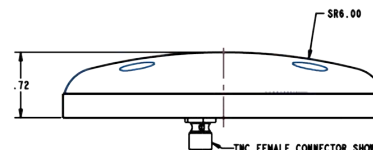
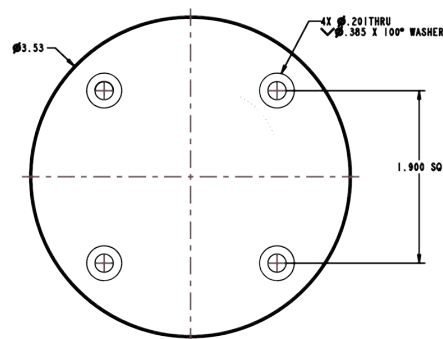
<b>Weight</b>	6.8 oz
<b>Temperature</b>	-55°C TO +85°C
<b>Altitude</b>	70,000 ft
<b>Vibration</b>	20 Grms

**TYPICAL LNA PERFORMANCE**

<b>LNA Gain</b>	See Options Table
<b>LNA Noise Figure</b>	3.5 dB
<b>LNA P1dB Out</b>	+13 dBm
<b>LNA DC Power</b>	(3.8 - 15) V <70 mA

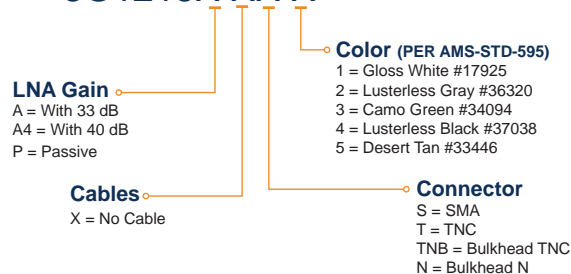
**LIMITING & FILTERING**

<b>Power Handling</b>	1 Watt CW
-----------------------	-----------



**PART NUMBER DECODER**

3G1215X XX X



Contact NavtechGPS for product details. [www.NavtechGPS.com](http://www.NavtechGPS.com)  
 +1-703-256-8900 • 800-628-0885 • [info@navtechgps.com](mailto:info@navtechgps.com)

