

3GNSSX-XX-X

FRPA footprint multi-frequency GNSS antenna

The 3GNSSX-XX-X is a multi-frequency antenna for assured positioning, navigation and timing (APNT) reception. This wideband antenna operates across GPS, GLONASS, Galileo and BeiDou frequencies for true Global Navigation Satellite System (GNSS) reception.

The baseplate is compatible with standard Fixed Reception Pattern Antenna (FRPA) mounting holes for easy installation onto new and existing platforms. An O-ring seal is included on the antenna base to ensure sealing between the antenna and the platform.

The product family is available in passive and active (amplified) configurations. The active circuitry is designed to support a wide range of input voltages with low current consumption. The passive design is ideal for installations where the antenna is located close to the receiver.

Antcom can customize this product family to meet your specific requirements. Please contact us for more information about customization options.

Options

Color

- Gloss white
- Lusterless gray
- Camo green
- Lusterless black
- Desert tan

Connector

- SMA
- TNC
- Type N
- TNC Bulkhead

LNA Gain

- 33 dB
- Passive



Benefits

- Standard FRPA mount for easy installation
- Multi-frequency GNSS coverage for assured PNT

Features

- Maximum multi-frequency, multi-constellation coverage
- FRPA compatible mounting holes and footprint
- Passive or active (amplified) configurations available
- DC power input through RF connector
- Connector options available
- Paint color options available

Electrical

Frequency range

GLONASS L1	1598.06-1609.31 MHz
GPS L1, Galileo E1, BeiDou B1	1575.42 ± 15 MHz
L-Band correction	1539-1559 MHz
GLONASS L2	1242.94-1251.69 MHz
GPS L2	1227.60 ± 15 MHz
Galileo E5b, BeiDou B2/B2b	1207.14 ± 10.23 MHz
GPS L5, Galileo E5a, BeiDou B2a, Navic L5	1176.42 ± 12 MHz

VSWR <2.0:1

Impedance 50 ohms

Polarization RCHP

Mechanical and environmental

Designed to:

Weight 12.4 oz (typical)

Temperature -55°C TO +85°C

Altitude 70,000 ft

Vibration > 30 Grms

Typical LNA performance

LNA gain See Options table

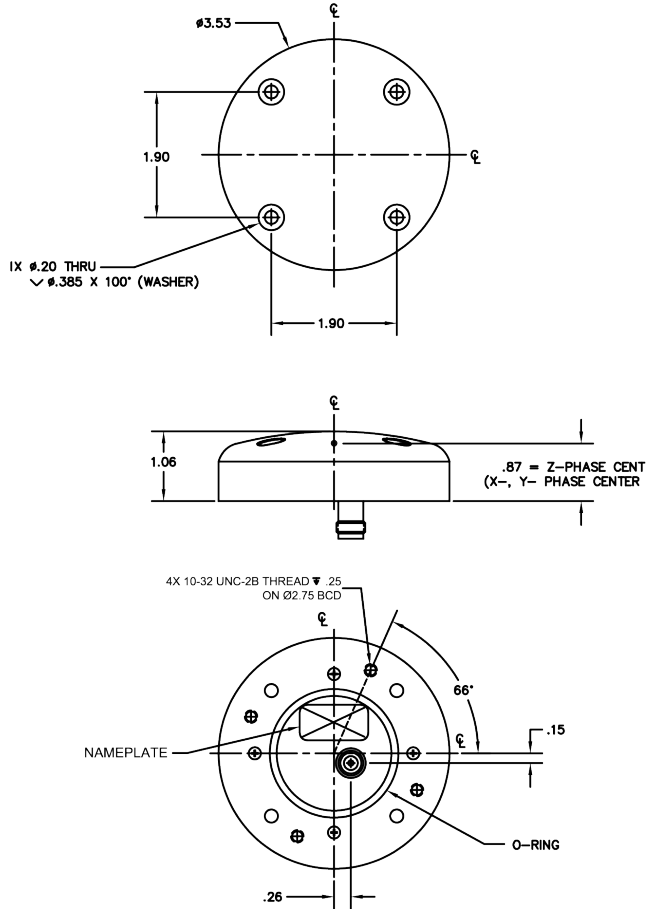
LNA noise figure 3.5 dB

LNA P1dB out +8 dBm

LNA DC power (2.7 - 15) V
<40 mA

Limiting and filtering

Power handling 1 Watt CW



Part number decoder

3GNSSX-XX-X



Contact NavtechGPS for product details. www.NavtechGPS.com
+1-703-256-8900 • 800-628-0885 • info@navtechgps.com

Antcom is a trademark of Hexagon AB and/or its subsidiaries and affiliates, and/or their licensors. All other trademarks are properties of their respective owners.
© Copyright 2021 – 2023 Hexagon AB and/or its subsidiaries and affiliates. All rights reserved. A list of entities within the Hexagon Autonomy & Positioning division is available at <https://hexagon.com/company/divisions/autonomy-and-positioning>.