



## 4G1215-XX-X ANTENNA FAMILY

### Mini ARINC GPS L1/L2 Antenna

The 4G1215X-XX-X product family provides Global Positioning System (GPS) signal reception in the L1 and L2 frequency bands. This product family is designed to a mini Arinc mounting footprint for easy integration onto new and existing platforms. The rugged enclosure can withstand harsh environmental conditions seen in military, aerospace and other applications.

Antcom can customize this product family to meet your specific requirements. Please contact us for more information about customization options.

#### BENEFITS

- Rugged GPS L1/L2 antenna
- Mini Arinc form factor ideal for small size and low weight applications
- Various standard options available and customizable options are available for order

#### FEATURES

- GPS L1/L2 with M-Code support
- Mini Arinc product footprint
- Passive or active (amplified) configurations available
- Active configurations offer 2-stage integrated bandpass filtering with diode limiters
- Connector options available
- Paint color options available



#### OPTIONS

COLOR	<ul style="list-style-type: none"><li>• Gloss White</li><li>• Lusterless Gray</li><li>• Camo Green</li><li>• Lusterless Black</li><li>• Desert Tan</li></ul>
CONNECTOR	<ul style="list-style-type: none"><li>• SMA</li><li>• TNC</li><li>• Bulkhead TNC</li><li>• Bulkhead N</li></ul>
LNA GAIN	<ul style="list-style-type: none"><li>• With 33 dB LNA</li><li>• With 20 dB LNA</li><li>• With 40 dB LNA</li><li>• Without LNA</li></ul>

**ELECTRICAL**

<b>Frequency Range:</b>	
<b>L1 GPS</b>	1575.42 ± 12 MHz
<b>L2 GPS</b>	1227.60 ± 12 MHz
<b>VSWR</b>	<2.0:1
<b>Impedance</b>	50 ohms
<b>Polarization</b>	RHCP

**MECHANICAL & ENVIRONMENTAL**

Designed to:

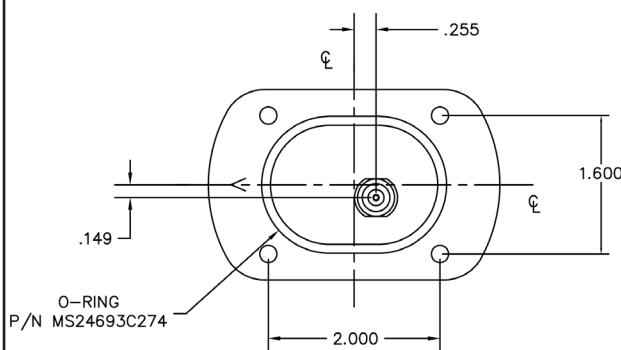
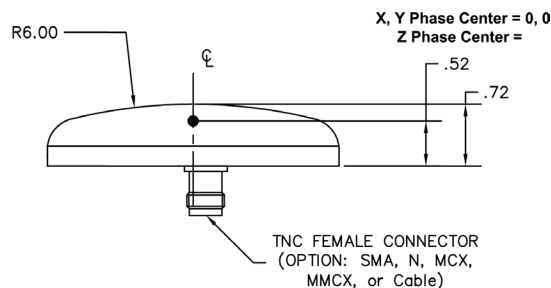
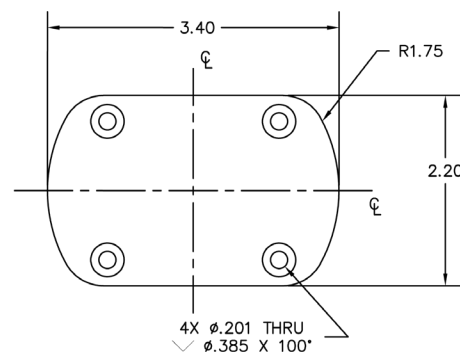
<b>Weight</b>	5.15 oz
<b>Temperature</b>	-55°C TO +85°C
<b>Altitude</b>	70,000 ft
<b>Vibration</b>	> 30 Grms

**TYPICAL LNA PERFORMANCE**

<b>LNA Gain</b>	See Options Table
<b>LNA Noise Figure</b>	3.5 dB
<b>LNA P1dB Out</b>	+13 dBm
<b>LNA DC Power</b>	(3.8 - 15) V <70 mA

**LIMITING & FILTERING**

<b>Power Handling</b>	1 Watt CW
-----------------------	-----------



**PART NUMBER DECODER**

4G1215 X XX X

**LNA Gain**  
A = With 33 dB  
A2 = With 20 dB  
A4 = With 40 dB  
P = Without LNA

**Color (PER FED-STD-595B)**  
1 = Gloss White #17925  
2 = Lusterless Gray #36320  
3 = Camo Green #34094  
4 = Lusterless Black #37038  
5 = Desert Tan #33446

**Connector**  
S = SMA  
T = TNC  
TB = Bulkhead TNC  
N = Bulkhead N



Contact NavtechGPS for product details. [www.NavtechGPS.com](http://www.NavtechGPS.com)  
+1-703-256-8900 • 800-628-0885 • [info@navtechgps.com](mailto:info@navtechgps.com)

