

# PolaNt Choke Ring B3/E6

High precision geodetic choke ring antenna



## Key Features

- ▶ Support current and planned GNSS signals from GPS, GLONASS, Galileo, BeiDou, IRNSS, QZSS and SBAS
- ▶ BeiDou B3 and Galileo E6 are supported
- ▶ High phase center stability
- ▶ IGS calibration available

Septentrio's PolaNt Choke Ring B3/E6 is a high precision geodetic multi-frequency multi-constellation choke ring antenna for use with Septentrio's PolarX family of high performance multiple-frequency GNSS reference receivers. It supports current and planned GNSS signals including BeiDou B3 and Galileo E6.

Our PolaNt Choke Ring antenna incorporates low-noise amplifiers, powerful filters for out-of-band interference rejection combined with Superior multipath rejection and a high phase centre stability.

It is a competitive alternative for Dorne & Margolin based antennas and is designed for high-end applications and reference station operations. The sealed radome allows reliable signal reception even in difficult conditions

**NavtechGPS**

+1-703-256-8900 or 800-628-0885  
info@NavtechGPS.com  
www.NavtechGPS.com

# PolaNt Choke Ring B3/E6

## PERFORMANCE

### GNSS Frequencies

L-Band	
GPS	L1, L2, L5
GLONASS	L1, L2, L3
Galileo	E1, E5ab, E6
BeiDou	B1, B2, B3
IRNSS	L5

### Polarization

RHCP

### Axial Ratio

3 dB max

### Radiation Coverage

$\theta = 0^\circ$	6.0 dBic
$0^\circ < \theta < 75^\circ$	-2.0 dBic
$75^\circ \leq \theta < 80^\circ$	-3.0 dBic
$80^\circ \leq \theta < 85^\circ$	-4.0 dBic
$\theta = 90^\circ$	-5.0 dBic

### Amplifier

Gain	$39 \pm 2$ dB
Noise Figure	2.6 dB max
Input Voltage	+4.2 to +15 VDC
Current	65 mA (typ)
Power handling	1 W
Impedance	50 $\Omega$
VSWR	$\leq 2.0:1$

## PHYSICAL AND ENVIRONMENTAL

**Finish** UV Resistant Polyurethane Enamel, white

**Weight** 11 lb (4.98 kg)

**Diameter** 14.8 in (376 mm)

**Connector** N-Type Female

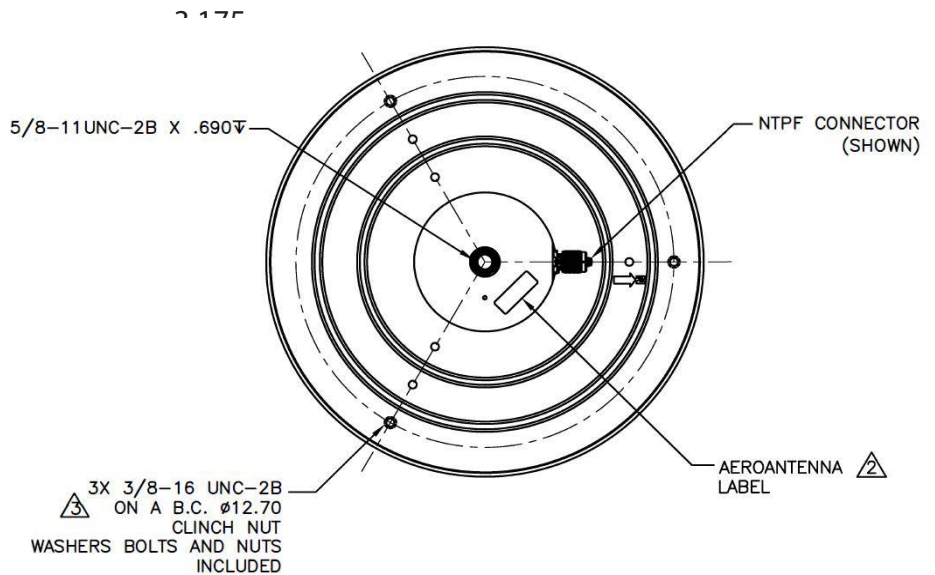
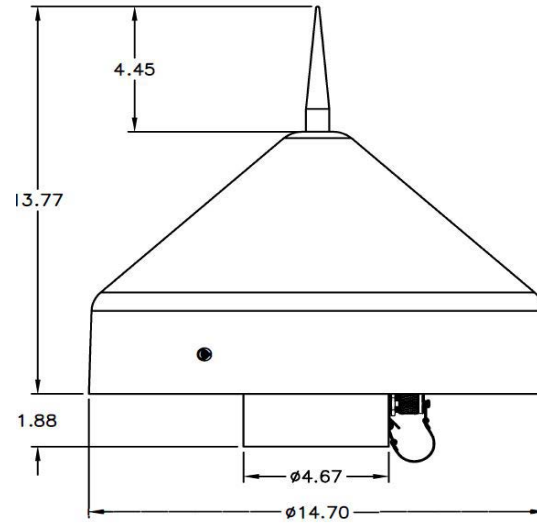
**Operating Temperature** -67 °C to +185 °F  
(-55 °C to +85 °C)

**Designed to** DO-160C

**IGS Reference** SEPCHOKE\_B3E6

## DIMENSIONS

Dimensions in inches



### Europe

Greenhill Campus  
Interleuvenlaan 15i  
3001 Leuven, Belgium  
+32 16 30 08 00

### Americas

Suite 200,  
23848 Hawthorne Blvd  
Torrance, CA 90505, USA  
+1 310 541-8139

### Asia-Pacific

Level 901, The Lee Gardens  
33 Hysan Avenue  
Causeway Bay, Hong Kong  
+852 3959 8680



[www.septentrio.com](http://www.septentrio.com)

[sales@septentrio.com](mailto:sales@septentrio.com)

[@septentrio](https://twitter.com/septentrio)